

CKANPLUS Product Catalog

Dual Camera Model name: *CBF-200R-USB-D*



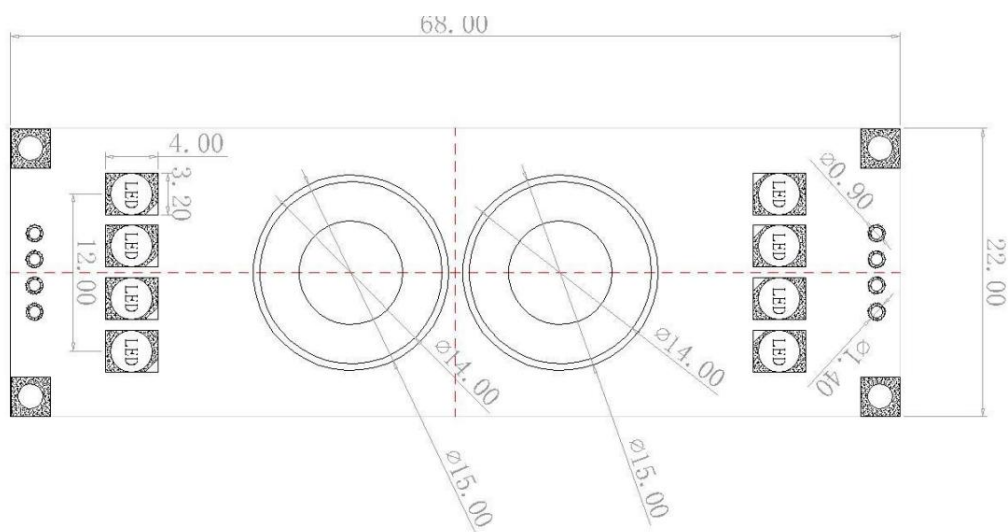
Key Specifications:

Parameter	Value
Module Size	68mm × 22mm × 17.4mm±0.5MM
Temperature (Operation)	-30°C to 70°C
Temperature (Stable Image)	0°C to 50°C
Assembly technique	SMT (ROSH)
Focus	Fixed
Object distance	30CM-infinity
Resolution	600LW/PH (Center)
PCB printing ink	Black
Interface	USB 2.0
Power supply	USB bus power
Supply voltage	DC 5V±5%
Maximum Power consumption	2100mW
Operating system request	Win XP/win 7、8 / vista /android 4.0/ mac /Linux with uvc
Sensor	PS5260 (1/2.7")
Sensor Package	CSP, Bare Die
Maximum resolution	1920*1080
Sensitivity	4700mv / (lux-sec)
Pixel Size	3μm x 3μm
S/N Ratio	46 db
Max Dynamic Range	83 db
Shutter type	Electronic rolling shutter
AGC/AEC/White balance	Auto

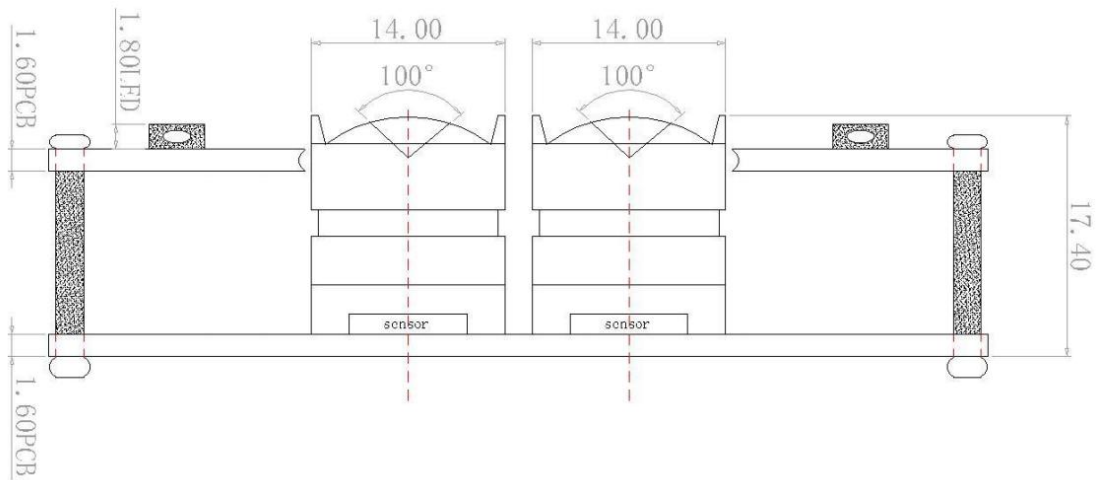
Output Formats	YUY2/MJPEG
Microphone	NO
Lens Construction	2G2P
F/No	2.4
EFL	3.0mm
FOV	100°
TV Distortion	<5%
Relative Illumination (Sensor)	70%
IR Filter	650±10nm / 850±10nm
Module Package	Anti-electrostatic tray
Certifications	FCC/CE/ROSH
Synchronized	No

MJPEG/YUY2 Transfer Rates

Resolution	MJPEG FPS	YUY2 FPS
1920 x 1080	30 FPS	5 FPS
1280 x 720	30 FPS	10 FPS
800 x 600	30 FPS	10 FPS
640 x 480	30 FPS	20 FPS
352 x 288	30 FPS	20 FPS
320 x 240	30 FPS	20 FPS

Mechanical Dimension:
TOP VIEW


SIDE VIEW



BOTTOM VIEW

